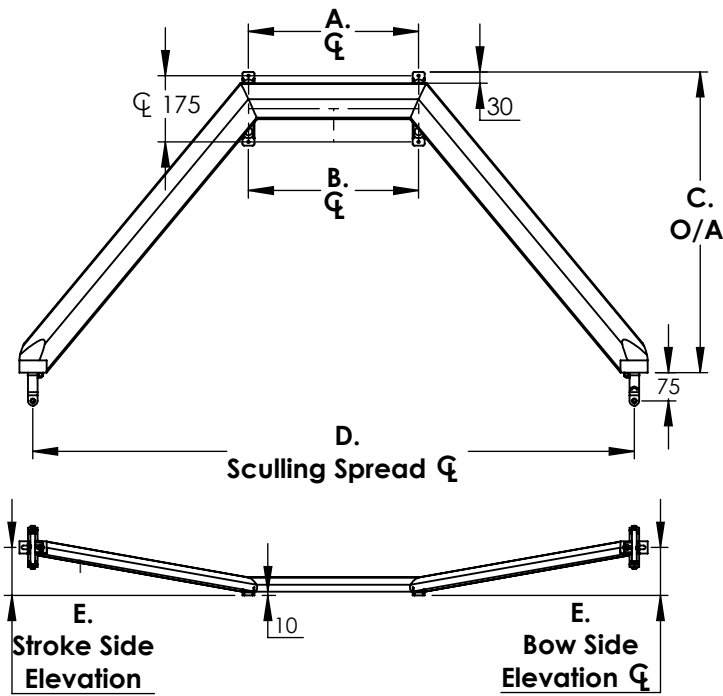


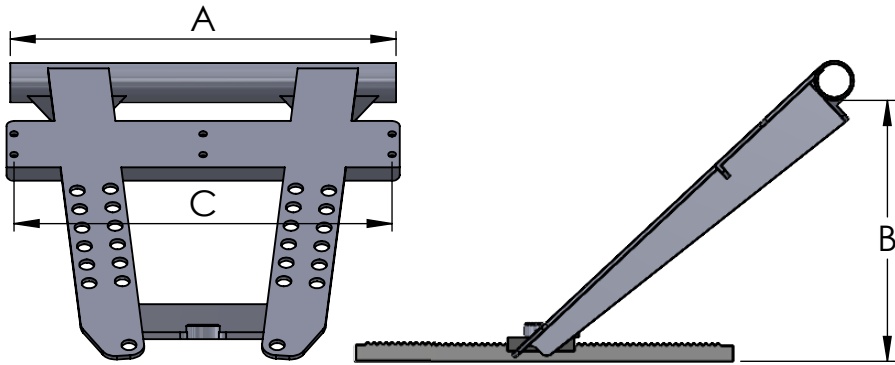
1X BOW MOUNT ORDER SHEET

Order No:	
Boat Type:	
Club:	
Anodising Spec:	
Rigtec Rig No:	
Rigtec Job No:	



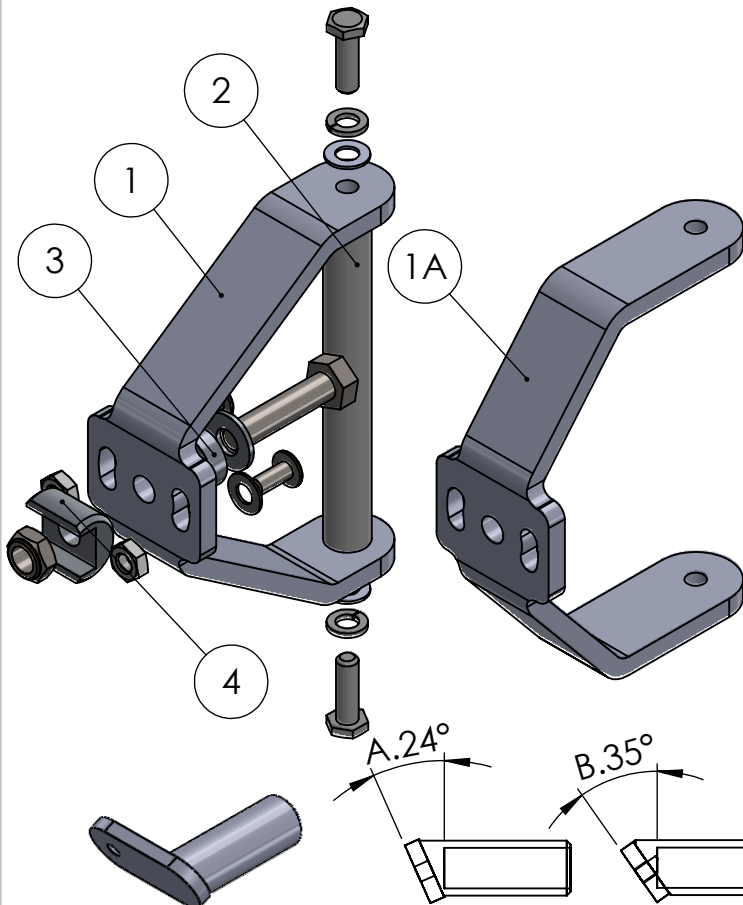
RIGGER

A:	
B:	
C:	
D:	
E- (B/S):	
E- (S/S):	



FOOT STRETCHER

A	
B	
C	



ITEM NO.	PART NUMBER	QTY.	QTY Ordered
1	SC STD Yoke	1	
1A	SC Load Cell Yoke	1	
2	Oarlock Axle (Smart Type)	1	
3	8mm Spacer	1	
4	SC-SW Yoke ID M8 Nut Retainer	1	

SPIGOT ANGLE FITTING

A	
B	