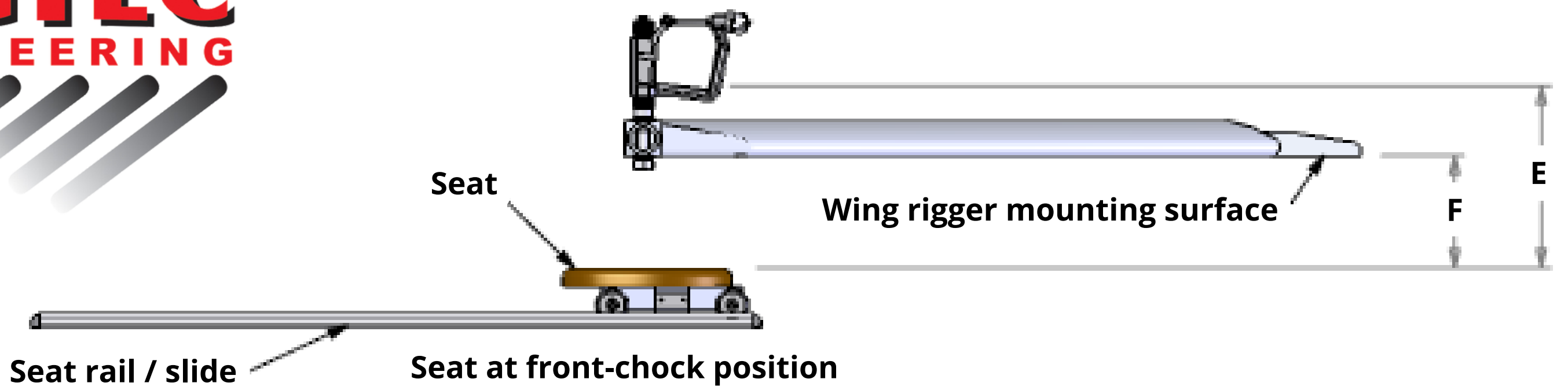


IMPORTANT !!
Please take your time and care when measuring your boat

RIGTEC
ENGINEERING



	1 Bow seat	2	3	4	Boat type :
A					MM
B					MM
C					MM
D					Spread MM
*					Backstay length (mm between the hole centres)

E	(Bow side) Minimum oarlock height above the seat	Rigtec's rigger No :	Can be found on the rigger mount 5-digit nr.
E	(Stroke side) Minimum oarlock height above the seat	Customer/Club :	
F	Distance from the seat-top to the mounting flange for the rigger.	Product finish type :	
*	Distance from the under-side of the aero-wing tube to the mounting flange on the boat.	Required date :	

Quick release system :

Yes :

No :

Standard sculling aero-wing rigger spec sheet