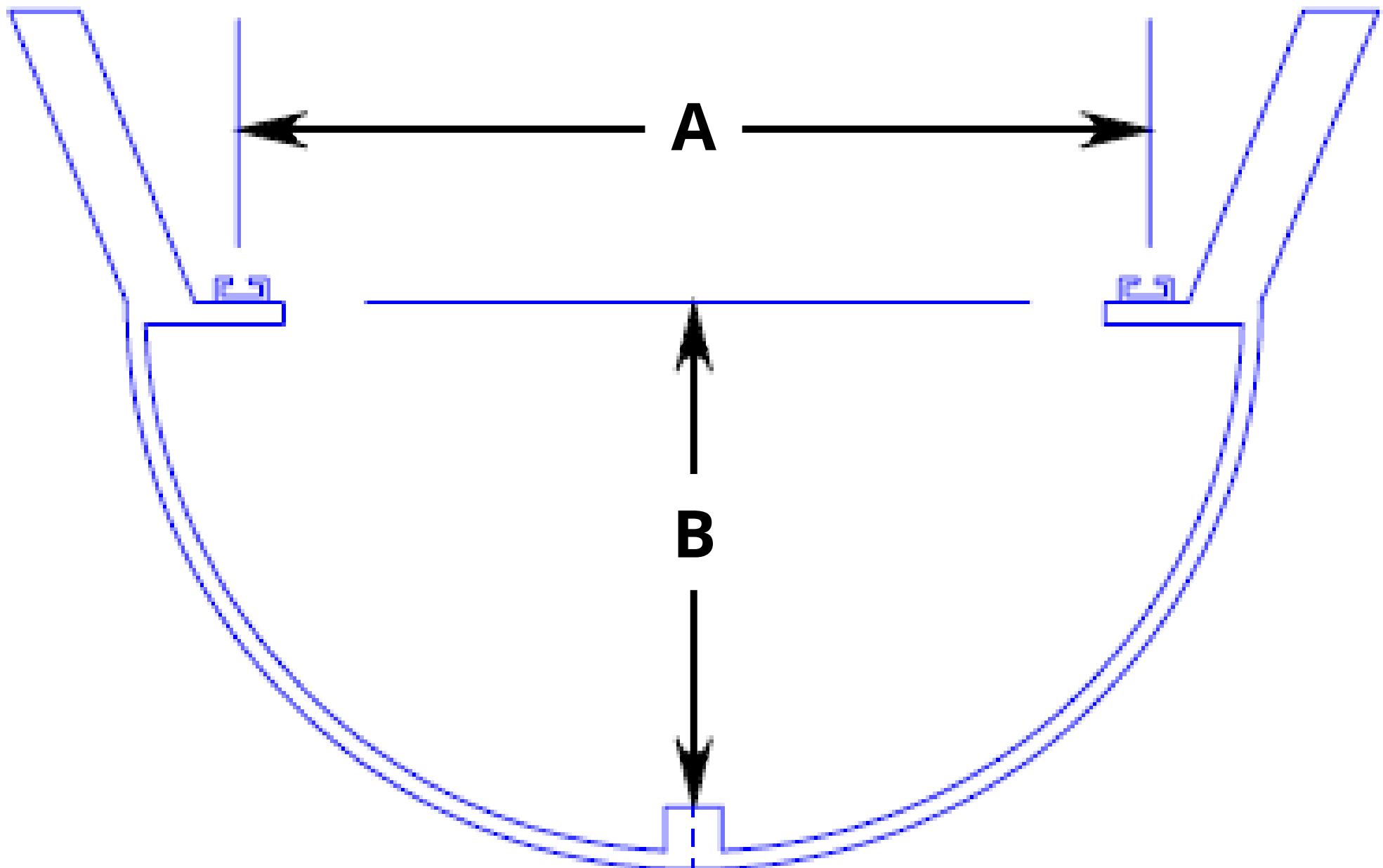
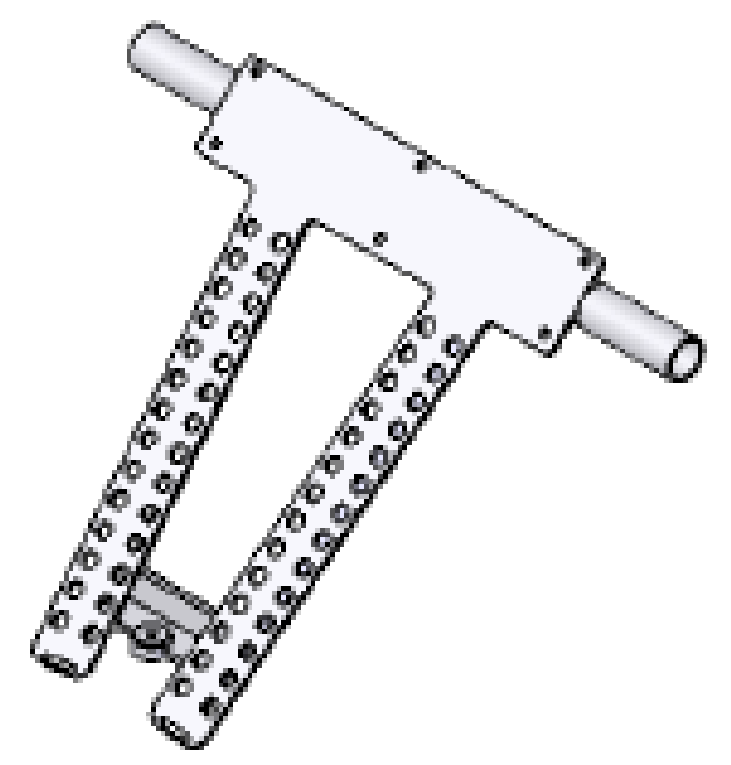


Foot stretcher spec sheet



Standard stretcher angle : 47 Deg..



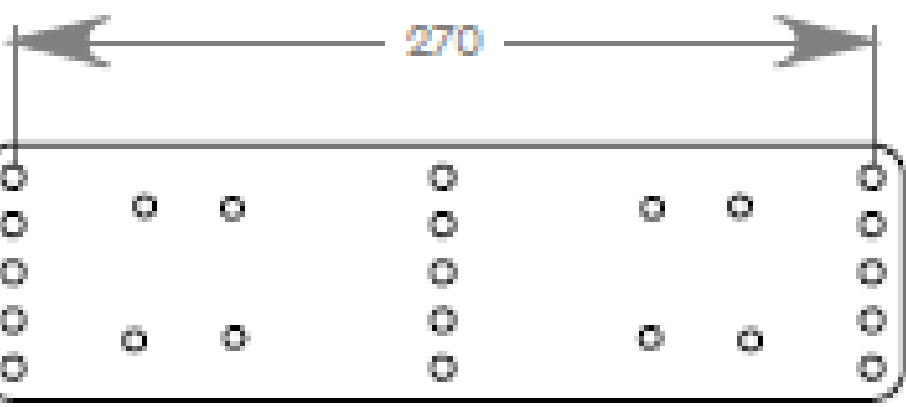
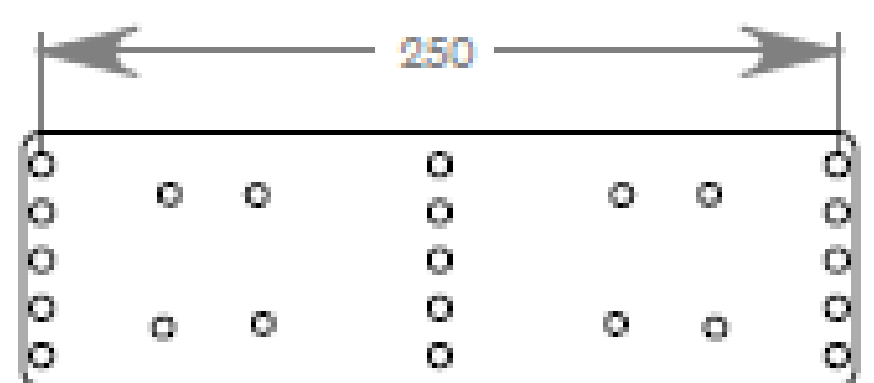
Foot stretcher frame
SKU 0328



Tube type :
Fits inside the cross bar
SKU 0036D Serrated tooth
SKU 0036DD Castle tooth



Round type :
Fits over the cross bar and clamps
SKU 0036B Serrated tooth
SKU 0036BB Castle tooth



C: Shoe plate mounting centres.

Stretcher fitting type :	Tube	Round
---------------------------------	------	-------

Boat type :	
Rigtec rigger No:	Can be found on the rigger mount 5-digit nr.
Customer / Club name :	
Stretcher angle :	47 degree (standard)
Required date :	

IMPORTANT !!

Please take your time and care when measuring your boat

	Bow 1	2	3	4	5	6	7	8
A								
B								
C								

MEASURING PROCEDURE:

- A - Measure the centre distance between the side stretcher tracks.
- B - Measure the distance from the top face of the keel to the top face of the boats deck where the stretcher tracks are fixed.
- C - Shoe plate mounting hole centres - 250mm or 270mm

