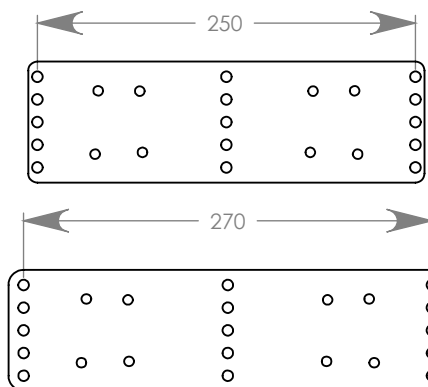


FOOT STRETCHER SPEC. SHEET

	1.BOW	2	3	4	5	6	7	8
A								
B								
C								

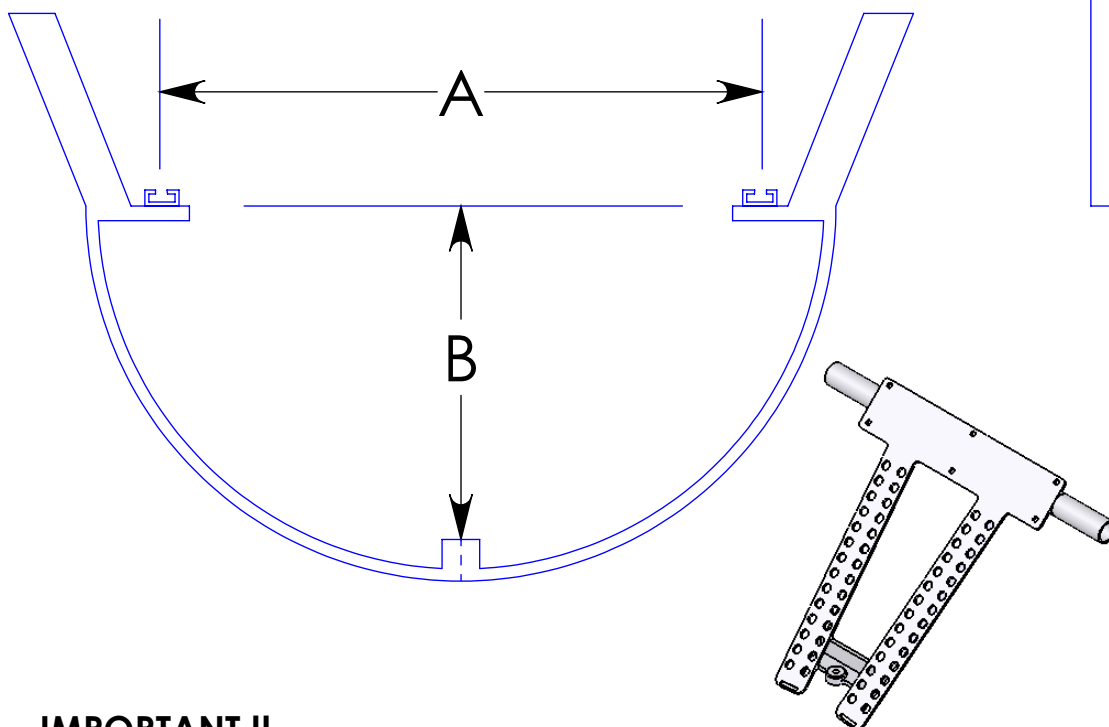


C: Shoe plate mounting centres.

MEASURING PROCEDURE:

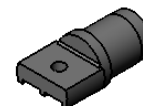
- A - Measure the centre distance between the side stretcher tracks.
- B - Measure the distance from the top face of the keel to the top face of the boats deck where the stretcher tracks are fixed.
- C - Shoe Plate Mounting hole centres - 250mm or 270mm

STANDARD STRETCHER ANGLE : 47 deg.

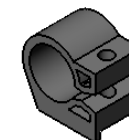


Foot Stretcher Frame
Part No.0328

Stretcher Fitting Types



Tube Type:
Fits inside the cross Bar
Part No.0036D Serrated
Part No.0036DD CastleTooth



Round Type:
Fits over the cross bar and clamps.
Part No.0036B Serrated Tooth
Part No.0036BBCastle Tooth

Stretcher Fitting Type:	Tube	Round
-------------------------	------	-------

Customer / Club Name:	
Boat Type:	
Boat Name or ID:	
Stretcher Angle:	47deg (Std)
Rigger Serial No:	

RIGTEC 2018 LTD

17 Park Terrace, PO Box 968 Blenheim 7240 NZ
Tel: 03 5785870 Fax: 03 5779870 e-mail: info@rigtec.co.nz
Web Site: www.rigtec.co.nz

IMPORTANT !!

Please take your time and care when measuring your boat.