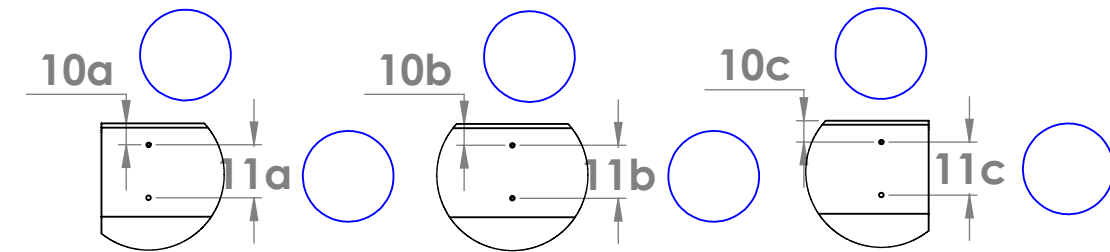
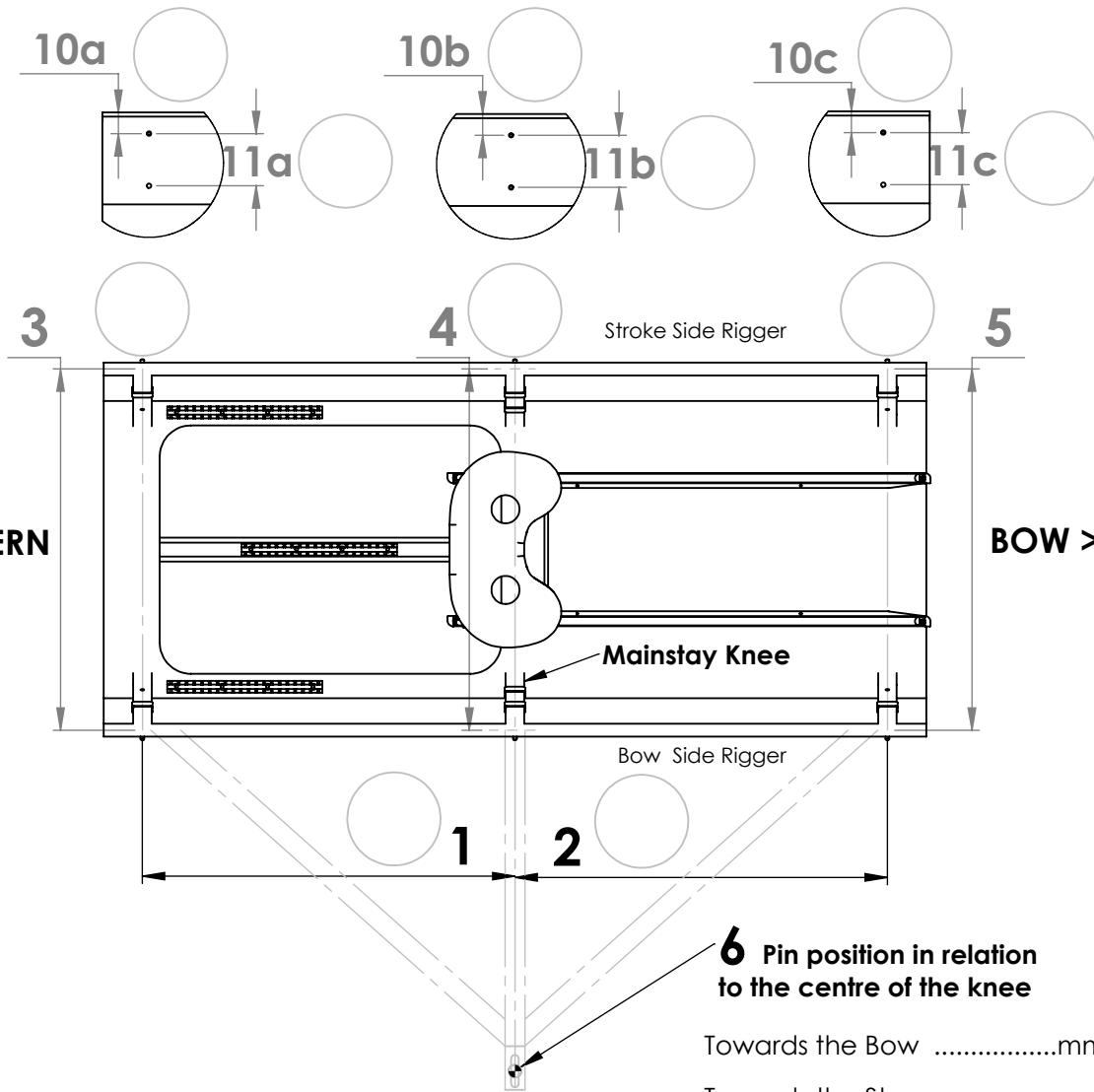
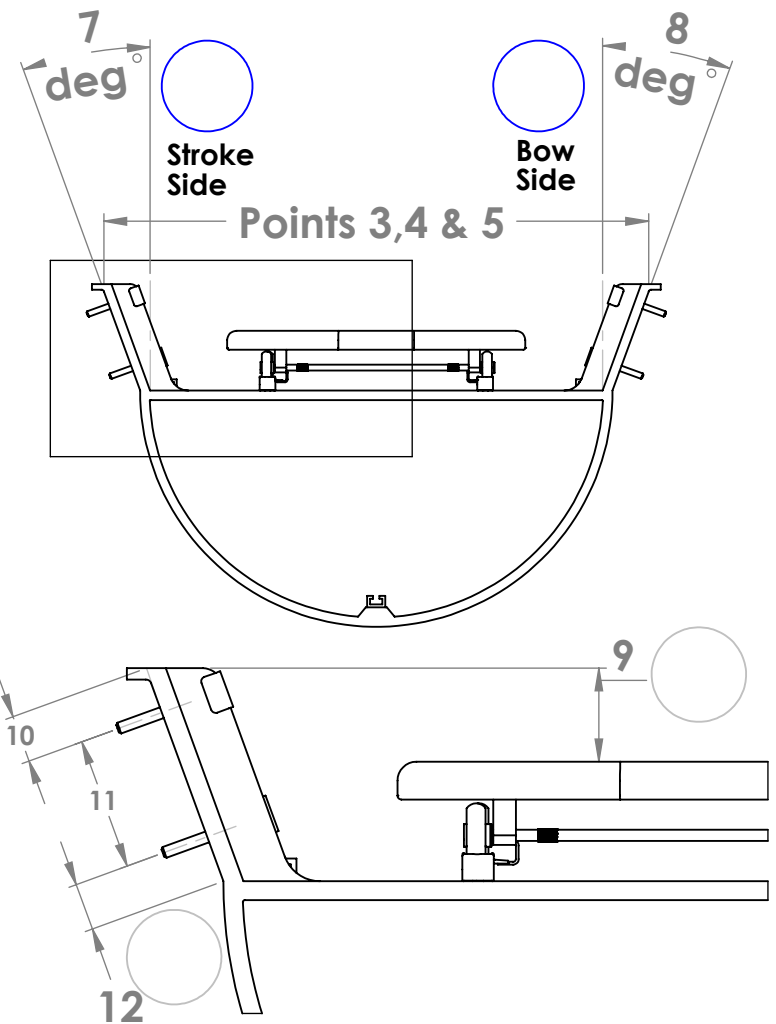


# STROKE SIDE



# BOW SIDE



## RIGGER SPEC SHEET

Boat Type: .....

Seat No: .....

Min. Oarlock Height: B/S.....mm S/S .....

Spread: .....

Club Name: .....

Boat Name: .....

Rigger Type: SMART TYPE ..... STD. Type .....

Rigger Serial No: .....

### RIGTEC 2018 LTD

17 Park Terrace, PO Box 968 Blenheim 7240 NZ  
 Tel: 03 5785870 Fax: 03 5779870 e-mail: info@rigtec.co.nz  
 Web Site: www.rigtec.co.nz