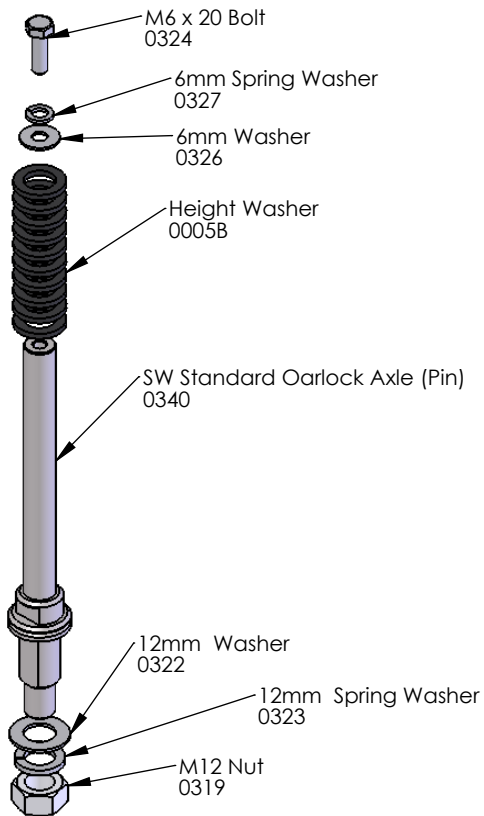


**Sweep Rigger Sets Complete**

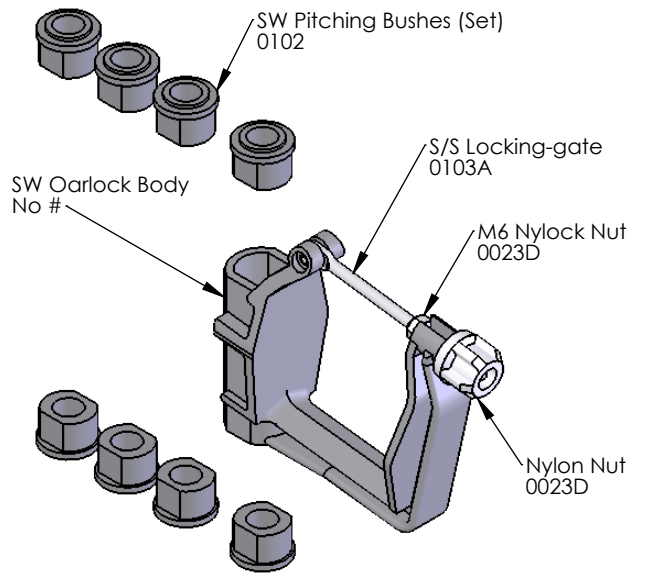
- 0409 2- Standard Coxless Pair
- 0411 4+ Standard Coxed Four
- 0412 4- Standard Coxless Four
- 0413 8+ Standard Eight

**Sweep Rigger Complete  
Standard Type  
0307**

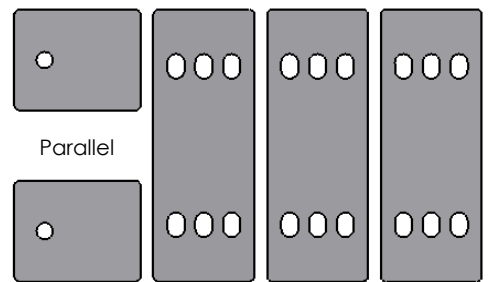
Anodising  
0317



**Sweep Standard Oarlock Axle Assembly Complete  
0304**



**Sweep Oarlock (Croker) Complete  
(Other names; Gate or Swivel)  
0101**



**Hull Protection Plates Set  
0311**