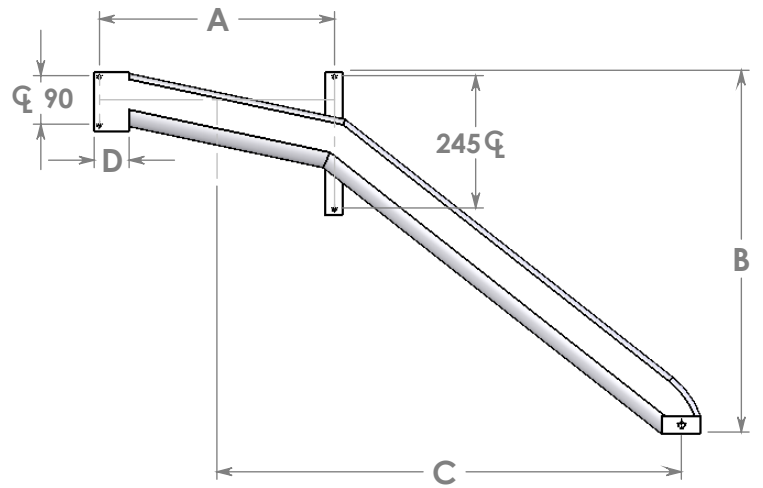


Laszlo Boats NZ

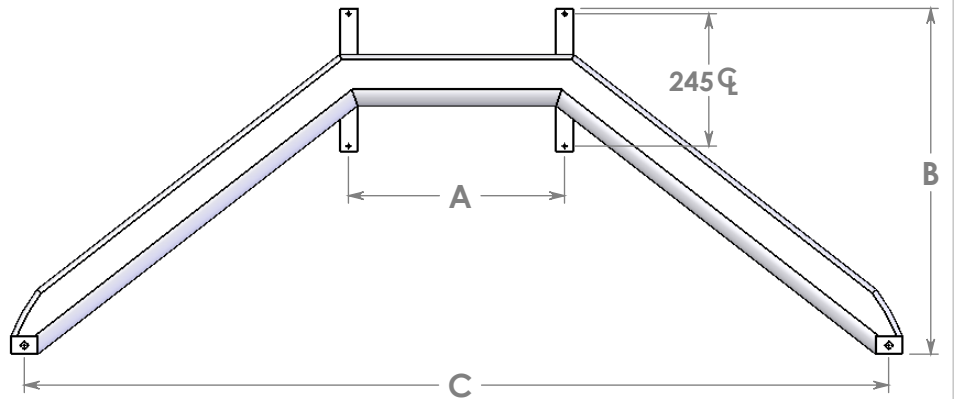
Tel:07 8296007

O/No:	
Boat Type:	
Club:	



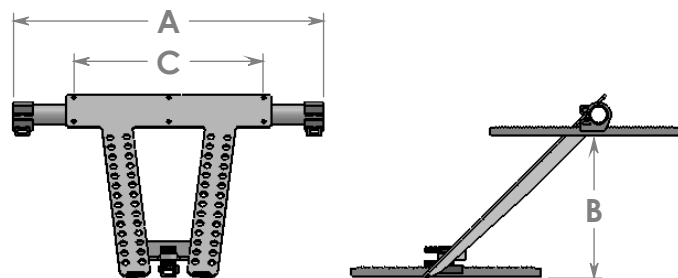
SWEEP RIGGER

Elevation:									
SEAT	1	2	3	4	5	6	7	8	
A									
B									
C									
D									



SCULLING RIGGER

Elevation:	LH:	RH:							
SEAT	1	2	3	4	5	6	7	8	
A									
B									
C									



FOOT STRETCHER

SEAT	1	2	3	4	5	6	7	8	
A									
B									
C									