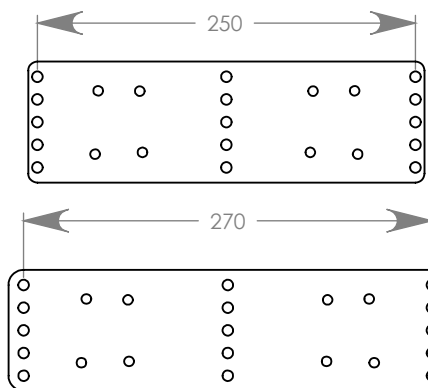


# FOOT STRETCHER SPEC. SHEET

	1.BOW	2	3	4	5	6	7	8
A								
B								
C								

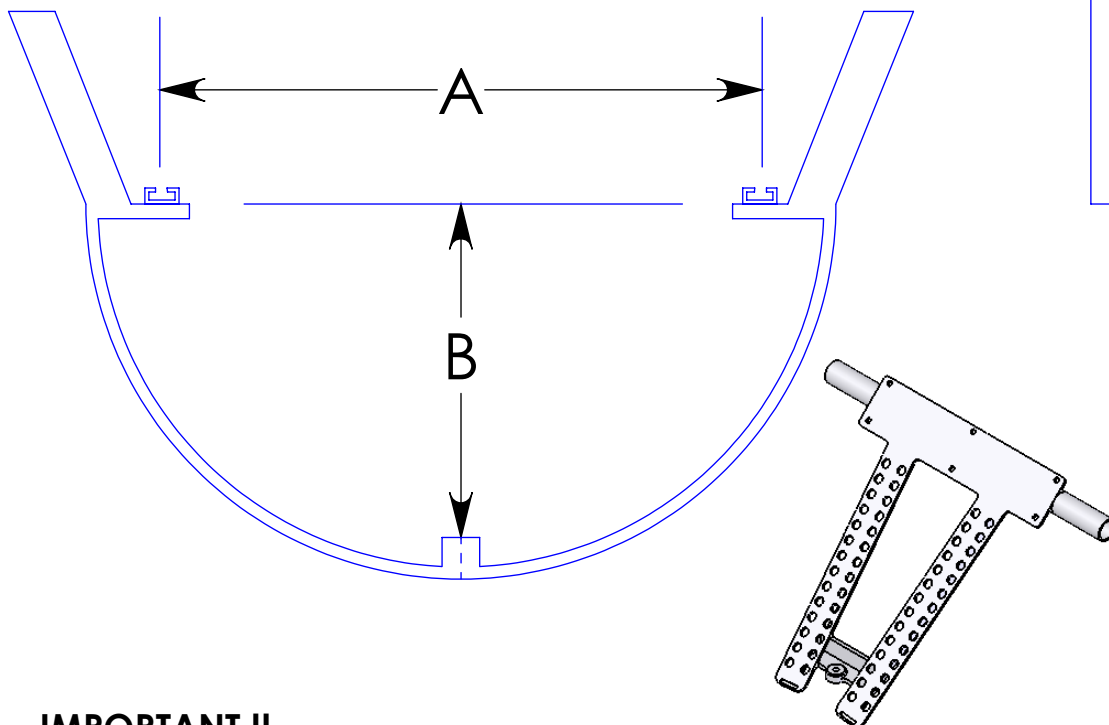


C: Shoe plate mounting centres.

### MEASURING PROCEDURE:

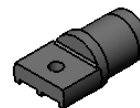
- A - Measure the centre distance between the side stretcher tracks.
- B - Measure the distance from the top face of the keel to the top face of the boats deck where the stretcher tracks are fixed.
- C - Shoe Plate Mounting hole centres - 250mm or 270mm

STANDARD STRETCHER ANGLE : 47 deg.

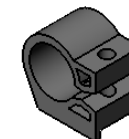


Foot Stretcher Frame  
Part No.0328

### Stretcher Fitting Types



**Tube Type:**  
Fits inside the cross Bar  
Part No.0036D Serrated  
Part No.0036DD CastleTooth



**Round Type:**  
Fits over the cross bar and clamps.  
Part No.0036B Serrated Tooth  
Part No.0036BB Castle Tooth

Stretcher Fitting Type:	Tube	Round
-------------------------	------	-------

Customer / Club Name:	
Boat Type:	
Boat Name or ID:	
Stretcher Angle:	47deg (Std)
Rigger Serial No:	

## RIGTEC ENGINEERING LTD

17 Park Terrace, PO Box 968 Blenheim 7240 NZ  
Tel: 03 5785870 Fax: 03 5779870 e-mail: info@rigtec.co.nz  
Web Site: www.rigtec.co.nz

### IMPORTANT !!

Please take your time and care when measuring your boat.